



FLUID ENERGY CONTROLS

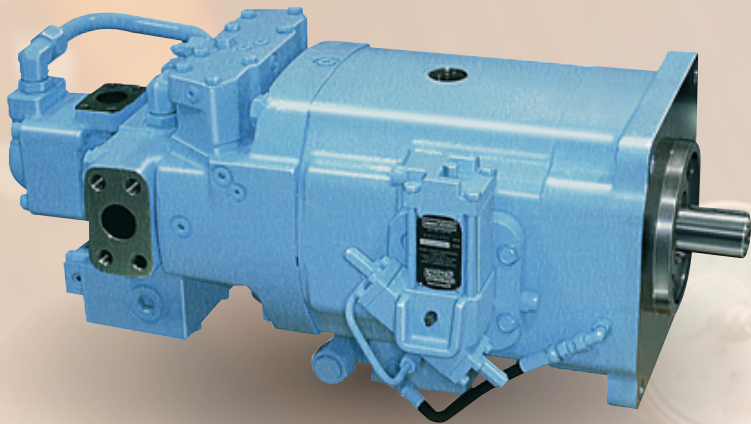
1306 John Reed Ct., City of Industry, CA 91745

SERVICE EXCHANGE

500 Series Controls

✉ sales@fecintl.com ☎ (323) 642-6456 🌐 www.fecintl.com

Gold Cup Pumps



Parker
DENISON Hydraulics

Exchange Requirements

- No missing parts
- The control housing should not be cracked or physically damaged
- The control should not be severely rusted

With a returned stroker, our fully refurbished service exchange unit which has been tested and adjusted carries a 12-month warranty and would be \$1,700 plus delivery charges.

Current Offering:

S23-15290-0 EHS 5A*-001 2XP/V A/B (Atlas Copco/Epiroc)

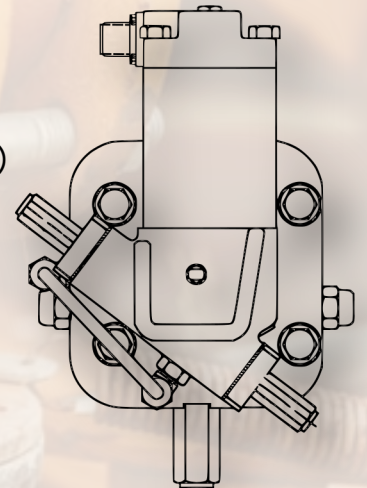
S23-12413-0 Elec/Hyd Stroker w/ Deadband Spring Center

S23-12416-0 Elec/Hyd Stroker(5A*),DB,Metric (AtlasCopco/Epiroc)

Additional Charges:

- 5C Control \$450
- Cracked or damaged housing \$750
- Heavily rusted \$360

Quantity Discount Available!



**** For further details or questions, please contact:**

David Stubbs - dstubbs@fecintl.com