

High Pressure Pulsation Dampeners

Positive Displacement (PD) pumps create pulsation and hydraulic shock due to the reciprocating nature of their stroking action, potentially damaging the entire pumping system. Pulsation Dampeners remove

hydraulic shock and reduce the pressure and flow fluctuations. This enhances the all-around performance and reliability of fluid handling equipment in industrial, chemical transfer, and precision metering applications.

*Increase productivity, safety, reliability and efficiency.
Decrease maintenance and operating costs.*

The Fluid Energy Controls Pulsation Dampeners are specially designed for use with high pressure reciprocating piston and plunger pump systems. The nitrogen gas pre-charged bladder inside the Pulse-Stop dampens the pressure pulsations created by the reciprocating action of the pumps.

The dampeners offer the following benefits:

- Increase pump efficiency
- Reduction in pump downtime
- Reduction in noise and vibration
- Reduction in costly damage to the system components

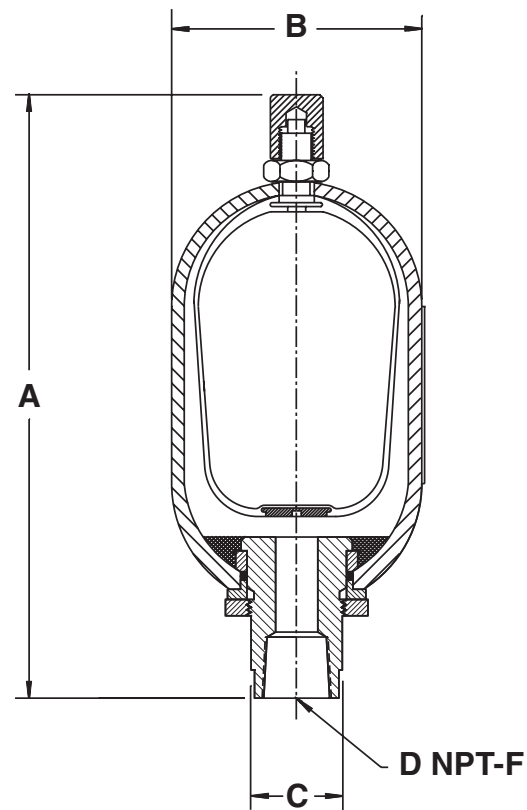
A properly selected pulsation dampener installed at the discharge side of the pump can both reduce the dampening pulsations and enhance the pump's efficiency and service life.

The Pulsation Dampeners are constructed of carbon steel and internally coated to resist corrosion. The port assembly is of stainless steel 300 series construction.

- Maximum operating pressure: 3000psig
- Replaceable bladder — can be changed in a few minutes
- Many bladder compounds available

Industries Served:

- Chemical Process
- Pulp, Paper and Textile
- Gas, Oil, and Petrochemical
- Biotech/Pharmaceutical
- Paint and Coating
- Food and Beverage
- Consumer Products
- Water Treatment



Nominal Size	"A" in.	"B" in.	"C" in.	D Port	Weight lb.
1 quart	11.73	3.46	1.62	1" NPTF	10.0
1 gallon	17.0	6.81	2.38	1¼" NPTF	34.0
2½ gallon	21.9	9.13	3.0	2" NPTF	95.0
Part Numbers					
		1 quart	1 gallon	2½ gallon	
Pulsation Dampener		7254000	7255000	7256000	
Repair Kit		5250017	5250011	5250031	

High Pressure Pulsation Dampeners

Fluid Energy Controls' pulsation dampeners are designed for oilfield application to minimize pressure pulses generated by positive displacement pumps. The dampeners are built to withstand high pressure as they smooth out the harmful pressure pulses originating from the pump. They are especially suitable for water and petrochemical applications.

Features:

- **Flexible bladder design** effectively reduces pump pulsations, vibrations and noises
- **No poppet and spring** to restrict flow of viscous process liquids.
- **Top repairable design** for ease of maintenance
- **Designed and stamped** per ASME Code Section VIII, Div. I, European CE, Canadian CRN, Brazilian NR-13, Chinese SELO, and Malaysian DOSH certifications also available
- **Buna-N bladder with integral anti-extrusion button** for long life. Viton and other compounds available
- **All wetted parts are coated carbon steel or stainless steel**
- **Prolongs service life of pumps, valves, instruments, and pipe joints**

Flow-Through Design						
Size	Fluid Port Configuration	Part No.	Appr. Wt. lb.	"A" in.	"B" in.	"C" in.
1 qt.	1/2" - 1500# RFWN ANSI	7678000	17	4.5	8.5	7.0
1 gal.	3/4" - 1500# RFWN ANSI	7687000	70	6.63	11.5	9.0
1 gal.	1" - 1500# RFWN ANSI	7688000	75	6.63	11.5	9.5
2.5 gal.	2" - 1500# RFWN ANSI	7279000	155	9	21.0	14.25
2.5 gal.	2.5" - 1500# RFWN ANSI	7418000	165	9	21.0	15.25
2.5 gal.	3" - 1500# RFWN ANSI	7389000	190	9	21.0	16.25
5 gal.	2" - 1500# RFWN ANSI	7830000	195	9	33.0	14.25
5 gal.	2.5" - 1500# RFWN ANSI	7831000	205	9	33.0	15.25
5 gal.	3" - 1500# RFWN ANSI	7832000	235	9	33.0	16.25

Appendage					
Size	Fluid Port Configuration	Part No.	Appr. Wt. lb.	"A" in.	"B" in.
1 qt.	1/2" - 1500# RFWN ANSI	7696000	12	4.5	9.0
1 gal.	3/4" - 1500# RFWN ANSI	7672000	58	6.63	15.25
1 gal.	1" - 1500# RFWN ANSI	7671000	62	6.63	15.5
2.5 gal.	2" - 1500# RFWN ANSI	7833000	105	9	21.0
2.5 gal.	2.5" - 1500# RFWN ANSI	7611000	115	9	21.0
2.5 gal.	3" - 1500# RFWN ANSI	7834000	125	9	21.0
5 gal.	2" - 1500# RFWN ANSI	7835000	145	9	33.0
5 gal.	2.5" - 1500# RFWN ANSI	7836000	155	9	33.0
5 gal.	3" - 1500# RFWN ANSI	7837000	165	9	33.0

Bladder Repair Kits — Flow-Through and Appendage Design	
Size	Repair Kit No.
1 quart	5250017
1 gallon	5250011
2.5 gallon	5250015
5 gallon	5250083

