

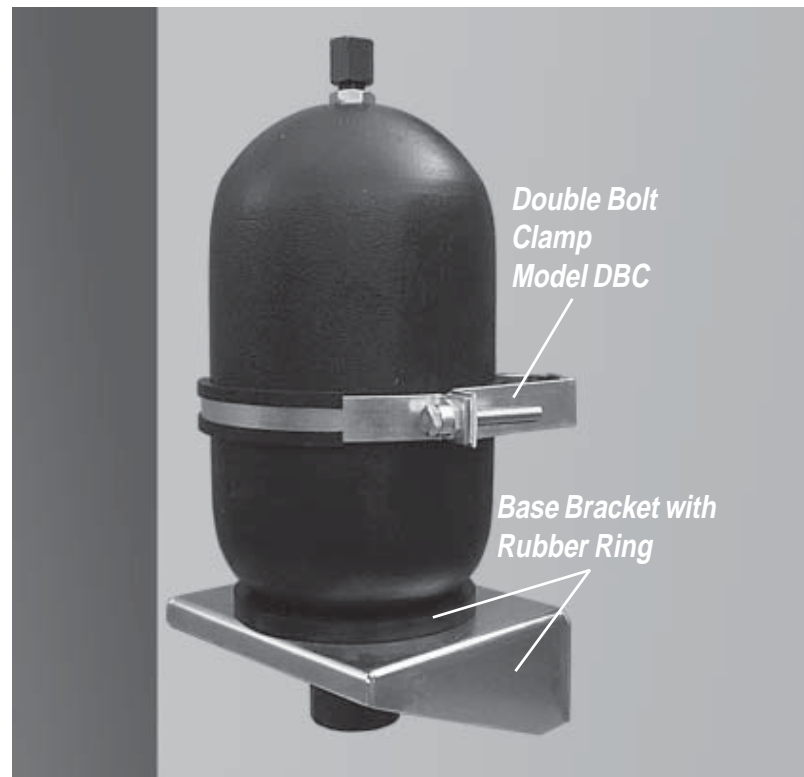
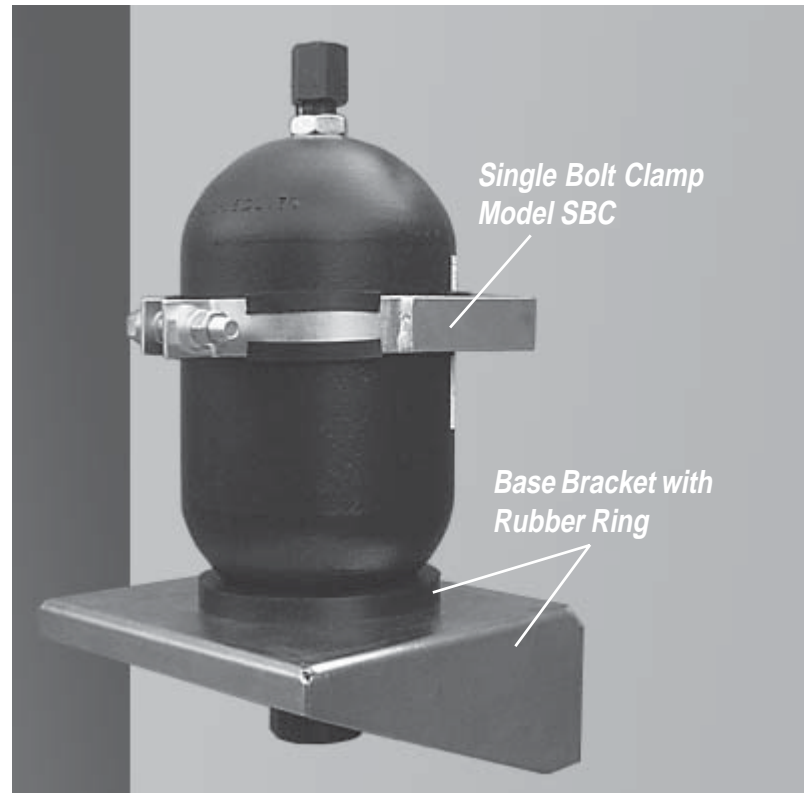


Mounting Brackets for Accumulators, Cylinders and Filter Housings

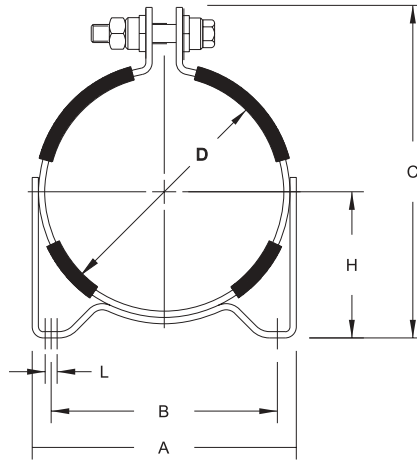
Fluid Energy Controls mounting brackets are designed to provide simple and secure mounting for accumulators, cylinders and filter housings.

Special features include:

- **Rubber cushioning** to reduce vibration and noise.
- **Compensation for thermal expansion and contraction.**
- **Exclusively designed for all types of accumulators, cylinders and filter housings.**
- **Clear Zinc plated** to resist corrosion.
- **Special sizes, designs and materials** (including stainless steel) available upon request.

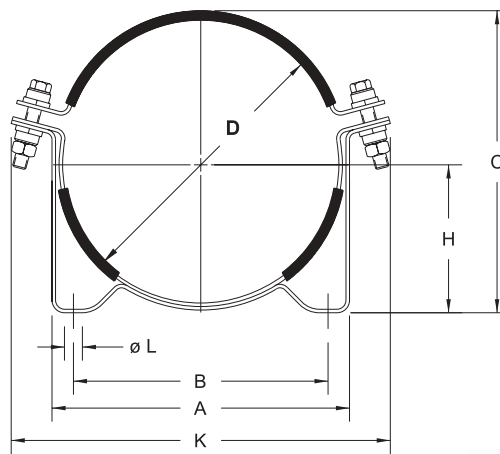


Fluid Energy Controls Mounting Brackets for Accumulators, Cylinders, and Filter Housings



Single Bolt Clamp Model SBC

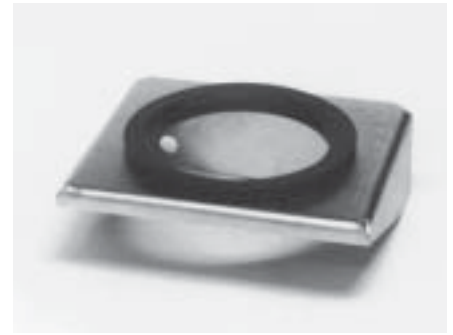
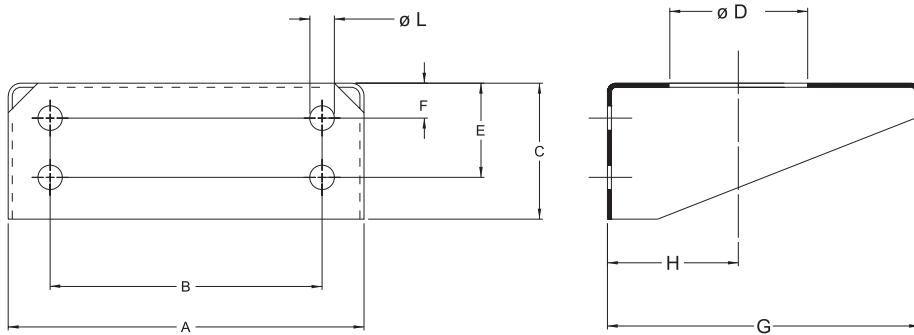
Model	A in. (mm)	B in. (mm)	C in. (mm)	D (Dia.) in. (mm)	H* in. (mm)	L (Slot) in. (mm)	Width in. (mm)	Wt. lbs. (kg)
SBC-42	5.43 (138)	3.94 (100)	5.91 (150)	4.25 (108)	2.52 (64)	.38 x .50 (9.7 x 12.7)	1.25 (32)	1.6 (.73)
SBC-45	5.26 (134)	3.94 (100)	6.68 (170)	4.51 (115)	2.87 (73)	.38 x .50 (9.7 x 12.7)	1.25 (32)	1.8 (.82)
SBC-50	6.89 (175)	5.35 (136)	7.12 (181)	4.96 (126)	3.03 (77)	.38 x .50 (9.7 x 12.7)	1.25 (32)	1.8 (.82)
SBC-57	6.63 (168)	5.35 (136)	7.75 (197)	5.75 (146)	3.50 (89)	.38 x .50 (9.7 x 12.7)	1.25 (32)	2.0 (.91)
SBC-66	7.50 (191)	6.02 (153)	9.00 (229)	6.75 (171)	3.94 (100)	.38 x .50 (9.7 x 12.7)	1.25 (32)	2.3 (1.0)
SBC-70	8.18 (208)	6.31 (160)	9.38 (238)	7.12 (189)	4.18 (106)	.38 x .50 (9.7 x 12.7)	1.25 (32)	2.2 (1.0)
SBC-87	10.12 (257)	8.50 (216)	11.38 (289)	9.12 (232)	5.00 (127)	.38 x .50 (9.7 x 12.7)	1.25 (32)	2.8 (1.3)



Double Bolt Clamp Model DBC

Model	A in. (mm)	B in. (mm)	C in. (mm)	D (Dia.) in. (mm)	H* in. (mm)	K in. (mm)	L in. (mm)	Width in. (mm)	Wt. lbs. (kg)
DBC-81	10.24 (260)	8.19 (208)	9.06 (230)	8.11 (206)	4.65 (118)	10.83 (275)	.59 (15)	1.50 (38)	3.2 (1.5)
DBC-84	10.63 (270)	8.50 (216)	9.37 (238)	8.39 (213)	4.84 (123)	11.22 (285)	.59 (15)	1.50 (38)	3.5 (1.6)
DBC-86	10.55 (268)	8.50 (216)	9.53 (242)	8.63 (219)	4.84 (123)	11.22 (285)	.59 (15)	1.50 (38)	3.4 (1.5)
DBC-89	10.00 (254)	8.50 (216)	9.89 (251)	9.12 (232)	4.95 (126)	12.48 (317)	.59 (15)	1.50 (38)	3.4 (1.5)
DBC-99	10.40 (264)	8.50 (216)	10.50 (267)	9.75 (248)	5.31 (135)	12.99 (330)	.59 (15)	1.50 (38)	3.4 (1.5)
DBC-113	13.07 (332)	11.02 (280)	12.40 (315)	11.26 (286)	6.42 (163)	13.98 (355)	.59 (15)	1.50 (38)	4.1 (1.8)
DBC-122	13.07 (332)	11.02 (280)	13.15 (334)	12.21 (310)	6.69 (170)	14.96 (380)	.59 (15)	1.50 (38)	4.4 (2.0)
DBC-141	16.81 (427)	14.37 (365)	15.08 (383)	14.13 (359)	7.68 (195)	16.69 (424)	.59 (15)	1.50 (38)	5.5 (2.4)

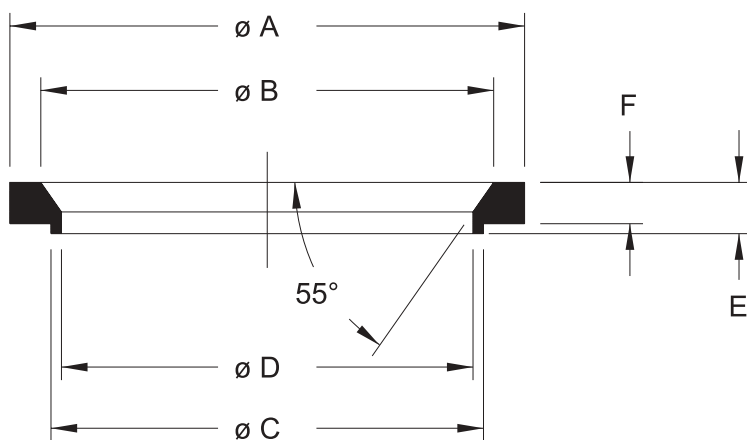




Base Bracket (without Rubber Ring)

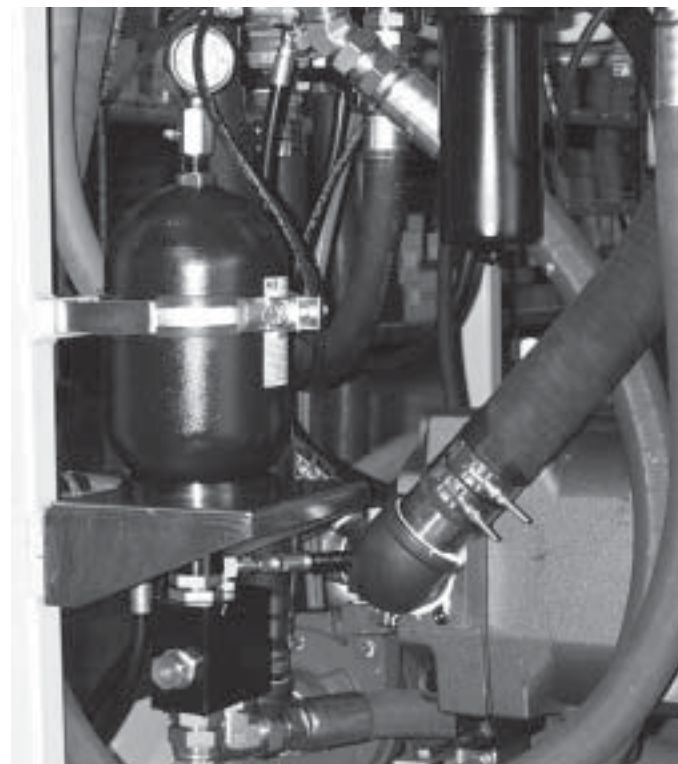
Model	A in. (mm)	B in. (mm)	C in. (mm)	D (Dia.) in. (mm)	E in. (mm)	F in. (mm)	G in. (mm)	H in. (mm)	L (Dia.) in. (mm)	Wt. lbs. (kg)
BB-47	10.24 (260)	7.87 (200)	3.94 (100)	4.72 (120)	2.95 (75)	1.38 (35)	8.86 (225)	3.94 (100)	.67 (17)	5.1 (2.3)
BB-53	10.63 (270)	7.09 (180)	3.94 (100)	5.31 (135)	3.15 (80)	1.57 (40)	9.84 (250)	4.84 (123)	.67 (17)	5.3 (2.4)
BB-67	10.24 (260)	7.88 (200)	3.94 (100)	6.69 (170)	2.95 (75)	1.38 (35)	8.86 (225)	4.84 (123)	.67 (17)	4.5 (2.0)
BB-69	10.20 (259)	7.80 (198)	3.90 (99)	6.69 (170)	2.70 (75)	1.00 (25)	9.00 (228)	5.10 (129)	.75 (19)	4.6 (2.1)
BB-75	12.99 (330)	8.66 (220)	7.87 (200)	7.48 (190)	5.51 (140)	2.36 (60)	13.39 (340)	6.69 (170)	.87 (22)	12.3 (5.6)
BB-83	15.35 (390)	10.63 (270)	9.45 (240)	8.31 (211)	7.09 (180)	2.36 (60)	15.35 (390)	7.68 (195)	.87 (22)	16.9 (7.7)

When ordering base bracket with rubber ring, add "RR" after base bracket part number.
 Example: BB-83RR = Base bracket BB-83 with Rubber Ring RR-787.



Rubber Ring

Model	A in. (mm)	B in. (mm)	C in. (mm)	D (Dia.) in. (mm)	E in. (mm)	F in. (mm)	Use with Base Bracket No.
RR-425	5.91 (150)	4.72 (120)	4.69 (119)	4.25 (108)	.79 (20)	.59 (15)	BB-47
RR-625	7.87 (200)	6.69 (170)	6.65 (169)	6.26 (159)	.79 (20)	.59 (15)	BB-53, -67, -69
RR-787	9.84 (250)	8.66 (220)	8.27 (210)	7.87 (200)	.98 (25)	.79 (20)	BB-75, -83



Mounting Brackets Compatibility Information

For 3000 PSI Bladder Accumulators

Accumulator Size	Nominal Dia. in. (mm)	Use Clamp No.	Quantity Required	Use Base Bracket
1 quart	4.5 (114)	SBC-45	1	None
2 quart	4.5 (114)	SBC-45	1	None
1 gallon	6.7 (170)	SBC-66	1	BB-47RR
2½ gallon	9.1 (231)	DBC-89	1	BB-67RR
5 gallon	9.1 (231)	DBC-89	2	BB-67RR
7.5 gallon	9.1 (231)	DBC-89	2	BB-67RR
10 gallon	9.1 (231)	DBC-89	2	BB-67RR
15 gallon	9.1 (231)	DBC-89	3	BB-67RR
25 gallon	14.25 (362)	DBC-141	3	BB-83RR
40 gallon	14.25 (362)	DBC-141	3	BB-83RR

For 5000 PSI Bladder Accumulators

Accumulator Size	Nominal Dia. in. (mm)	Use Clamp No.	Quantity Required	Use Base Bracket
1 quart	4.82 (122)	SBC-50	1	None
1 gallon	7.12 (181)	SBC-70	1	BB-47R
2½ gallon	9.75 (248)	DBC-99	1	BB-69R
5 gallon	9.75 (248)	DBC-99	2	BB-69R
10 gallon	9.75 (248)	DBC-99	2	BB-69R
15 gallon	9.75 (248)	DBC-99	3	BB-69R

For Piston Type Accumulators

Accumulator Size	Nominal Dia. in. (mm)	Use Clamp No.	Quantity Required	Use Base Bracket
1 quart	4.5 (114)	SBC-45	1	None
2 quart	4.5 (114)	SBC-45	1	None
1 gallon	4.5 (114)	SBC-45	1	None
1 gallon	5.5 (140)	SBC-57	2	None
1 gallon	7.0 (178)	SBC-66	1	BB-47
1.5 gallon	4.5 (114)	SBC-45	2	None
1.5 gallon	5.5 (140)	SBC-57	2	None
1.5 gallon	7.0 (178)	SBC-66	1	BB-47
2 gallon	4.5 (114)	SBC-45	1	None
2.5 gallon	5.5 (140)	SBC-57	2	None
2.5 gallon	7.0 (178)	SBC-66	1	BB-47
2.5 gallon	8.0 (203)	DBC-81	1	BB-67
3 gallon	5.5 (140)	SBC-57	2	None
3 gallon	7.0 (178)	SBC-66	1	BB-47
3 gallon	8.0 (203)	DBC-81	1	BB-67
4 gallon	5.5 (140)	SBC-57	2	None
4 gallon	7.0 (178)	SBC-66	1	BB-47

Accumulator Size	Nominal Dia. in. (mm)	Use Clamp No.	Quantity Required	Use Base Bracket
4 gallon	8.0 (203)	DBC-81	1	BB-67
5 gallon	5.5 (140)	SBC-57	3	None
5 gallon	7.0 (178)	SBC-66	2	BB-67
5 gallon	8.0 (203)	DBC-81	1	BB-67
5 gallon	9.0 (228)	DBC-89	1	BB-67
7.5 gallon	7.0 (178)	SBC-70	2	BB-67
7.5 gallon	8.0 (203)	DBC-81	2	BB-67
7.5 gallon	9.0 (228)	DBC-89	1	BB-67
10 gallon	8.0 (203)	DBC-81	2	BB-67
10 gallon	9.0 (228)	DBC-89	2	BB-67
15 gallon	8.0 (203)	DBC-81	2	BB-67
15 gallon	9.0 (228)	DBC-89	2	BB-67
17.5 gallon	9.0 (228)	DBC-89	3	BB-67
20 gallon	8.0 (203)	DBC-81	3	BB-67
20 gallon	9.0 (228)	DBC-89	3	BB-67
23 gallon	9.0 (228)	DBC-89	3	BB-67
25 gallon	9.0 (228)	DBC-89	4	BB-67

Note: All dimensions and weights are for general information only. Since products are in a continual state of refinement, please verify all critical dimensions with Fluid Energy Controls.

© COPYRIGHT 2002, FLUID ENERGY CONTROLS



FLUID ENERGY CONTROLS, INC.

6431 FLOTILLA STREET

LOS ANGELES, CALIFORNIA 90040

TELEPHONE (323) 721-0588 • FAX (323) 721-8368

E-MAIL: sales@fecintl.com • www.fecintl.com