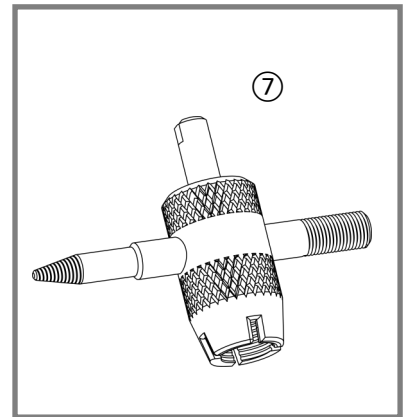
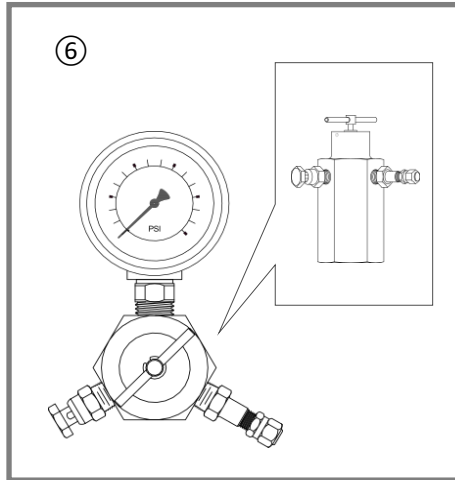
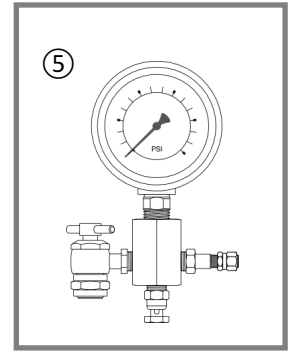
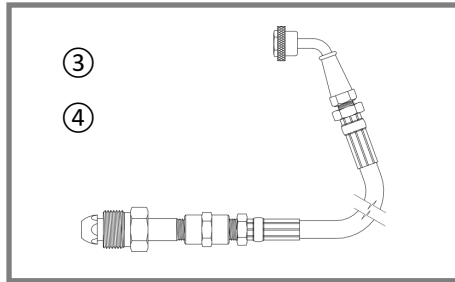
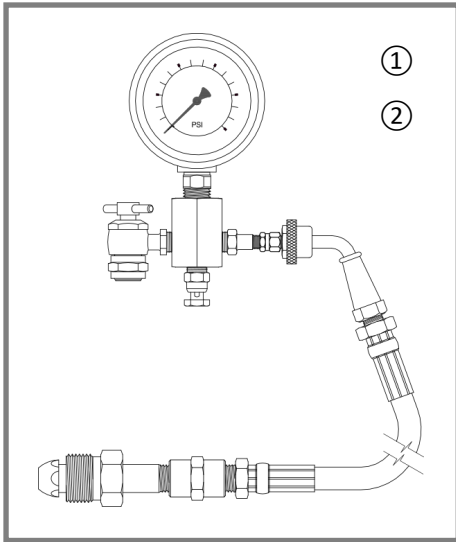


ITEM	DESCRIPTION	PART NUMBER
Charging Kit Assemblies		
1	Complete Gauging and Charging Assembly, 3000 PSI	GA-100- (*)
2	Complete Gauging and Charging Assembly, 5000 PSI	GA-150- (*)
3	Hose Assembly (10 Feet), 3000 PSI	GA-500
4	Hose Assembly (10 Feet), 5000 PSI	GA-600
5	Portable Mount Gauging Head Assembly	GA-200- (*)
6	Permanent Mount Gauging Head Assembly	GA-400- (*)
Note: (*) see item 20 below for pressure gauge options		
Valve		
7	Valve Core Tool	2250179
8	Valve Extension	2250525
9	Air Chuck	GA-002
10	Bleed Valve	GA-003
11	Tank Valve	GA-004
Spanner Wrench		
12	2.5 – 15 G	2250180
13	25 – 120 G	2250291
Bladder Tools		
14	Bladder Pull Rod (18")	2250242
15	Service Kit SKB-10	SKB-10
16	Service Kit SKB-22	SKB-22
Gas Valve		
17	Schrader Type #3 SAE	2250241
18	Schrader Type #5 SAE	2250221
19	MS Gas Valve	2250001
(*) Pressure Gauges		
	(A) 0 to 100 PSI	2250138
	(B) 0 to 300 PSI	2250156
20	(C) 0 to 600 PSI	2250135
	(D) 0 to 1500 PSI	2250257
	(E) 0 to 3000 PSI	2250460



Note: drawings not to scale

