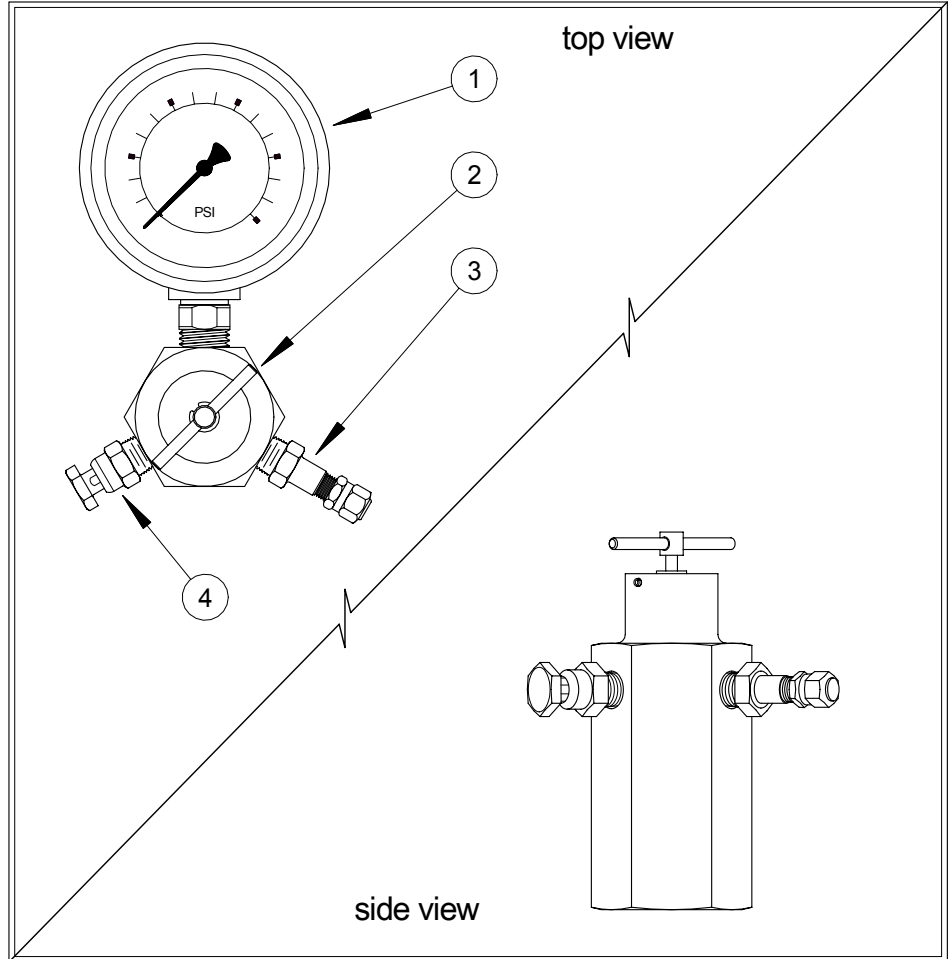


Permanent Mount Gauging Head Assembly

The model GA-400 Permanent Mount & Gauge Assembly from Fluid Energy Controls is a standard tool for maintaining the Nitrogen precharge in hydro-pneumatic accumulators. Gauges are available in five different pressure ranges to 3000 PSI. Other

GA-400 - *



Features:

- Easy to install and operate.
- Allows quick maintenance of accumulator precharge.
- No external leakage.
- High quality liquid-filled pressure gauge.

GA-400 Parts List

Item	Qty	Description	Part Number
1	1	Gauge	GA-005
2	1	Body, Permanent Mount	GA-011
3	1	Tank Valve	GA-004
4	1	Bleed Valve	GA-003

Pressure Gauge Options *

Code	Range
A	0 - 100 PSI
B	0 - 300 PSI
C	0 - 600 PSI
D	0 - 1500 PSI
E	0 - 3000 PSI

* When ordering, specify pressure range code. (eg.: for a 3000 PSI gauge, use part No. GA - 400 - E)